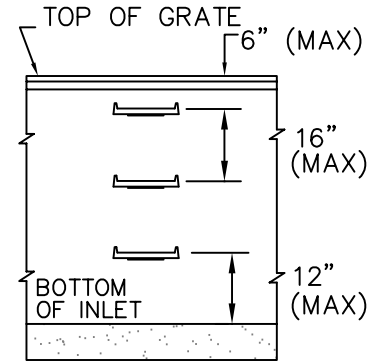
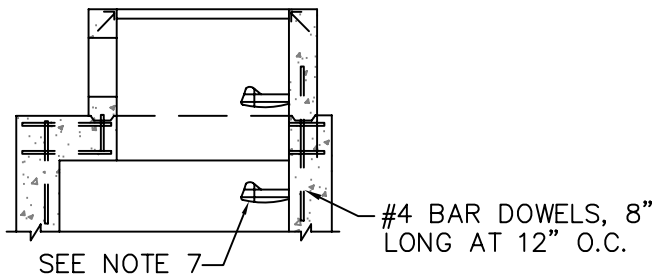


SECTION OF OPENING




STEP DETAIL

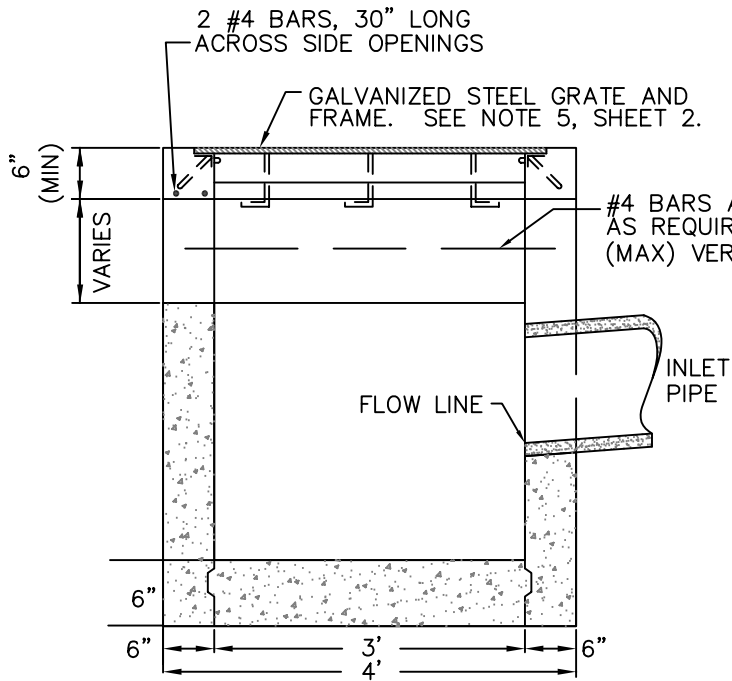


SECTION OF OPENING

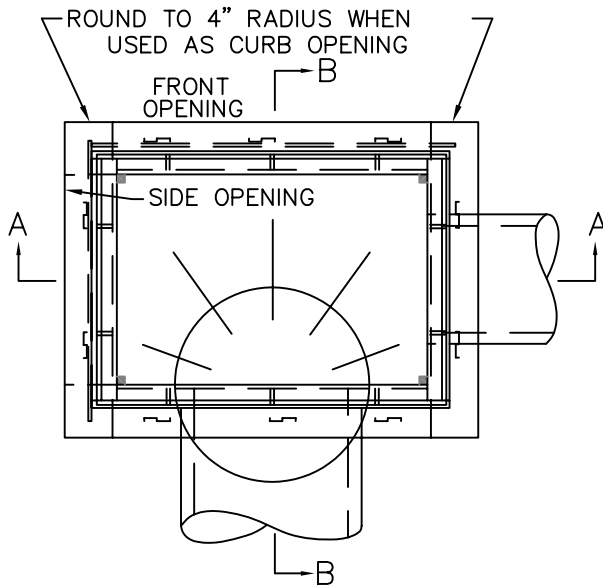
NOTES:

1. CONSTRUCTION JOINTS ARE OPTIONAL WHERE SHOWN. KEY DIMENSIONS ARE 3/4 IN BY 2-1/2 IN.
2. CLEARANCE SHALL BE 2 IN. FOR ALL REINFORCING STEEL.
3. INLET AND OUTLET PIPES SHALL NOT INTERCEPT A BOX THROUGH A CORNER. WHERE THE PIPE IS TOO LARGE OR THE SKEW ANGLE IS TOO GREAT TO PERMIT THE OPENING TO BE MADE IN A SINGLE WALL, USE A MANHOLE BASE WITH A TYPE C INLET OPENING ON TOP.
4. THE LOCATION AND SIZE OF THE OPENING SHALL BE AS SHOWN ON THE PLANS, UNLESS DIRECTED OTHERWISE BY THE PUBLIC WORKS INSPECTOR.
5. ALL INLETS SHALL BE CONSTRUCTED WITH GRATES.
6. THE MAXIMUM DEPTH FOR A TYPE C INLET SHALL BE 4 FT. FOR DEPTHS GREATER THAN 4 FT. USE A MANHOLE BASE.
7. STEPS SHALL BE STEEL REINFORCED POLYPROPYLENE PLASTIC AND SHALL BE IN ACCORDANCE WITH CAL OSHA.
8. ALL INLETS SHALL HAVE AN "ANTI-POLLUTION" THERMOPLASTIC DECAL APPLIED AS DIRECTED BY THE PUBLIC WORKS INSPECTOR.

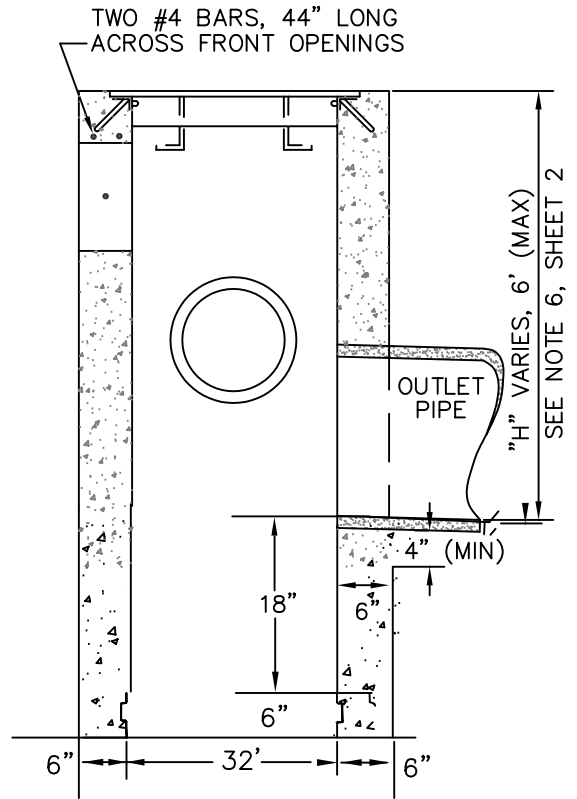
No	By	Revision	<b>CITY OF SAN PABLO</b>		
			ONE ALVARADO SQUARE, SAN PABLO, CA 94806		
			(510) 215-3030 FAX 215-3031		
Checked By: _____			<b>TYPE C INLET DETAILS AND NOTES</b>  NO SCALE		STD DET SD-05
Approved By: _____					SHEET 2 OF 2
PUBLIC WORKS DIVISION MANAGER		DATE			



SECTION A-A



PLAN



SECTION B-B

No	By	Revision

**CITY OF SAN PABLO**

ONE ALVARADO SQUARE, SAN PABLO, CA 94806  
(510) 215-3030 FAX 215-3031



Checked By: \_\_\_\_\_

Approved By: \_\_\_\_\_

PUBLIC WORKS DIVISION MANAGER \_\_\_\_\_ DATE \_\_\_\_\_

TYPE C INLET  
PLAN AND SECTIONS

NO SCALE

STD DET SD-05

SHEET 1 OF 2